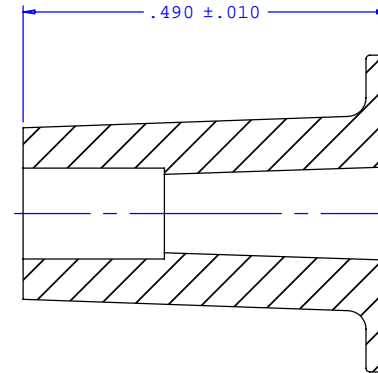
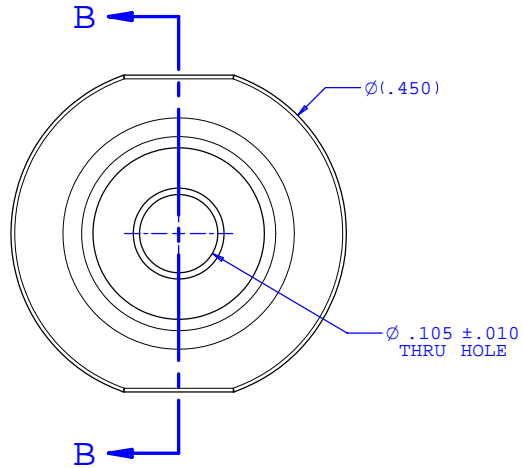
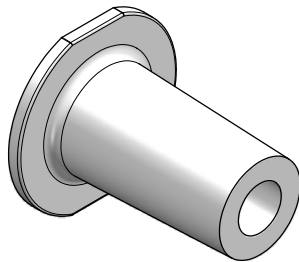


NOTE: FOR MORE DETAILS SEE YOUR V.P. CUSTOMER SERVICE REP.

REVISIONS			
REV.	DESCRIPTION	DATE	APPROVED
A	INITIAL RELEASE	08-16-99	
B	CO 018 Drafting Update	07-11-05	Rick C.



SECTION B-B



UNLESS OTHERWISE SPECIFIED DIMENSIONS ARE IN INCHES TOLERANCES ARE:		<b>VALUE PLASTICS, INC.</b>	
FRACTIONS ±	DECIMALS .XX ±.01 .XXX ±.005 .XXXX ±.001	ANGULAR ±1°	PART NUMBER: <b>BPSF156</b>
DO NOT SCALE DRAWING		DESCRIPTION: Blood Pressure Cuff Flange, 5/32" (4 mm) ID Tubing (Designed for RF welding to cuff)	
DRAWN BY: <b>Frank Lombardi</b>	DATE: <b>06-09-05</b>	SIZE: <b>B</b>	SCALE: <b>NTS</b>
ENGINEER/MANAGER: <b>Rick Cairns</b>		DRAWING NUMBER: <b>1006880</b>	REV. <b>B</b>
© 2005 VALUE PLASTICS, INC.			SHEET: 1 OF 1

**FOR REFERENCE ONLY**